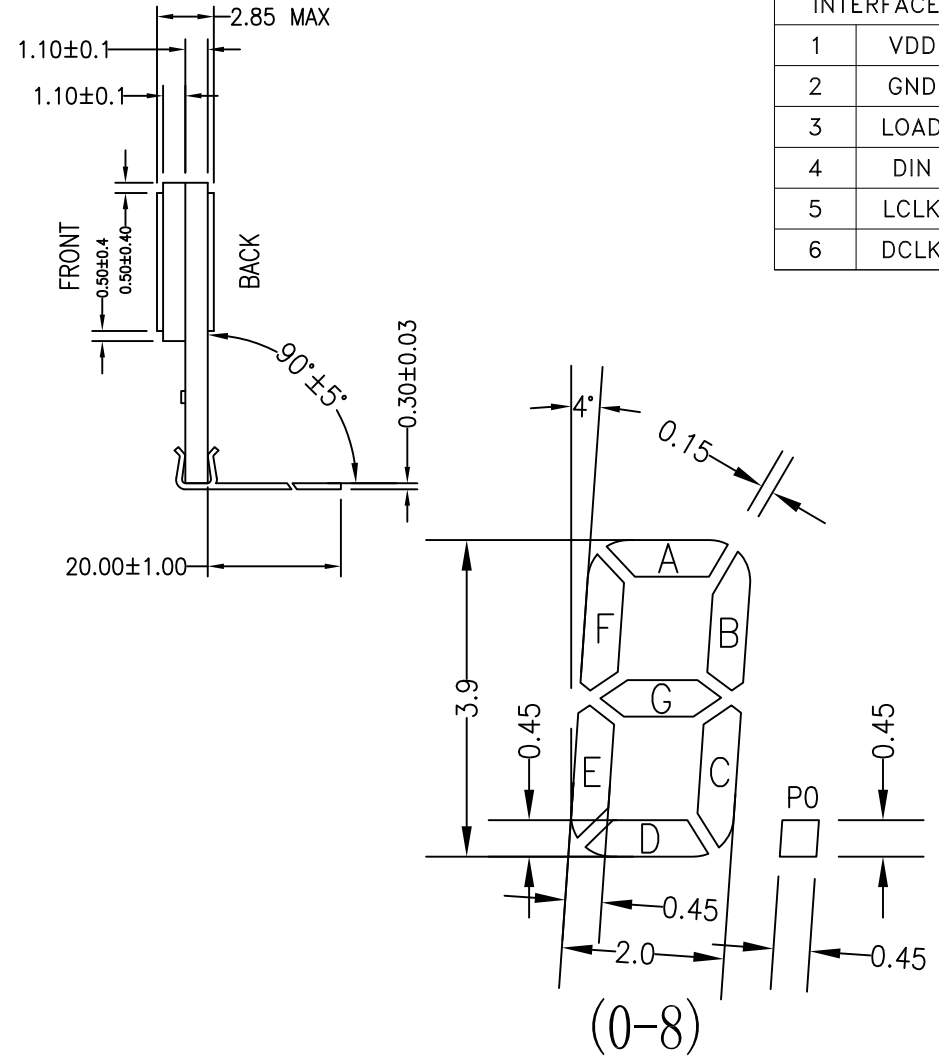
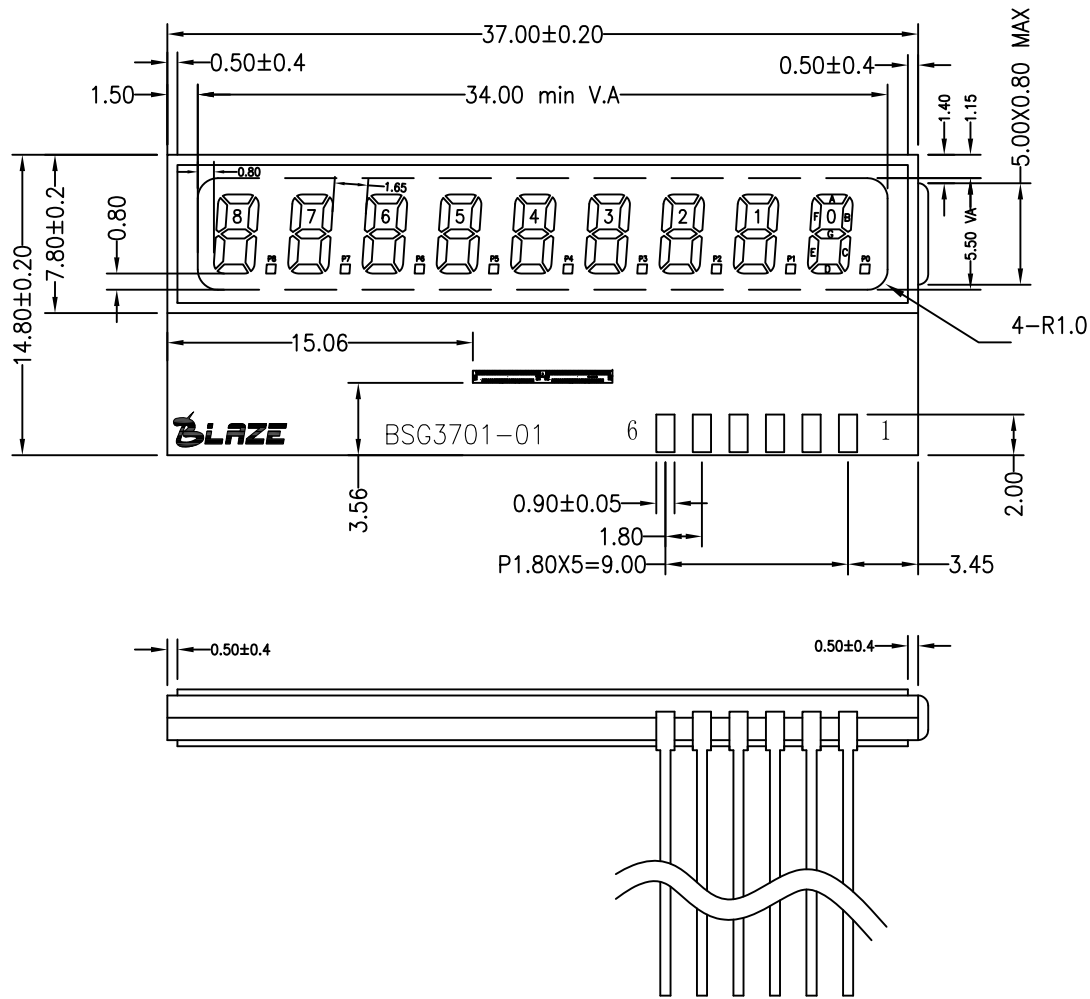


Revised Record

1.0	New issue	2018-01-17
1.0	Change interface	2018-01-24



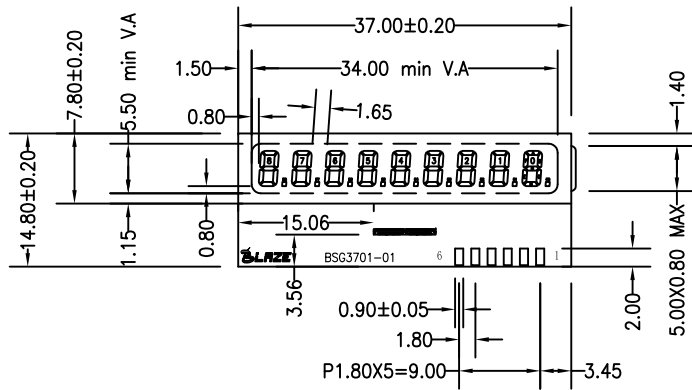
INTERFACE	
1	VDD
2	GND
3	LOAD
4	DIN
5	LCLK
6	DCLK

NOTES:

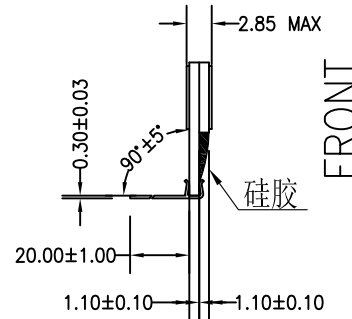
- | | |
|----------------------------|-----------------------------|
| 01. DISPLAY TYPE: | TN/POSITIVE/REFLECTIVE RoHS |
| 02. OPERATING VOLTAGE: | VLCD:2.5-3.5V,VDD=2.5-3.5V |
| 03. OPERATING TEMPERATURE: | -20°C~+70°C |
| 04. STORAGE TEMPERATURE: | -30°C~+80°C |
| 05. DRIVE MODE: | STATIC |
| 06. VIEWING DIRECTION: | 12:00 |
| 07. DRIVE IC: | ML1001-2U |
| 08. CONNECTOR: | COG+PIN |
| 09. BACKLIGHT: | LED(NONE) |
| 10. CUSTOMER'S PART ID: | |

BLAZE Blaze Display Technology Co.,Ltd.

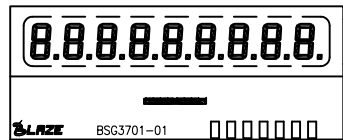
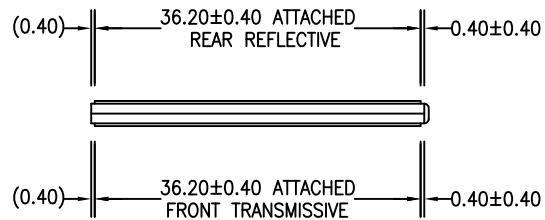
DESIGNED BY: BDT-21	BSG3701-01	VERSION: 2.0
CHECKED BY: BDT-07		PAGE 1 OF 2
APPROVED BY: BDT-02		UNIT: mm
Website: http://www.blazedisplay.com		DATE: 2018-01-24



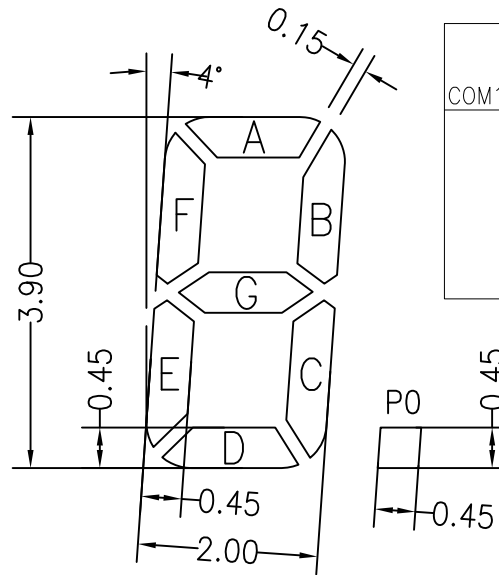
REAR



FRONT



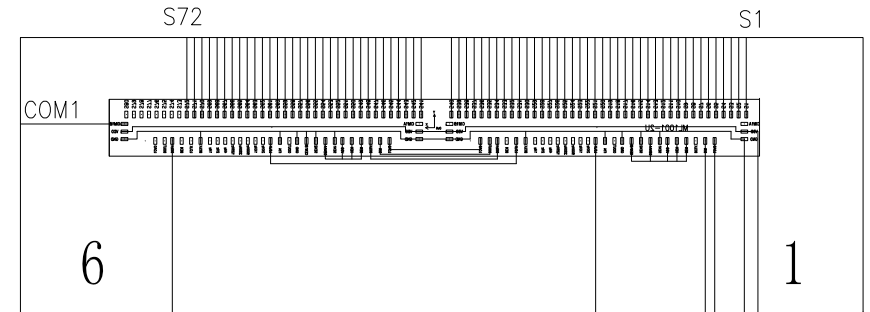
1:1示意图



(0-8)

真值表:

COM	SEG	S1	S2	S3	S4	S5	S6	S7	S8	S9	S10	S11	S12
COM1		P0	0B	0G	0C	0D	0E	0F	0A	P1	1B	1G	1C
COM	SEG	S13	S14	S15	S16	S17	S18	S19	S20	S21	S22	S23	S24
COM1		1D	1E	1F	1A	P2	2B	2G	2C	2D	2E	2F	2A
COM	SEG	S25	S26	S27	S28	S29	S30	S31	S32	S33	S34	S35	S36
COM1		P3	3B	3G	3C	3D	3E	3F	3A	P4	4B	4G	4C
COM	SEG	S37	S38	S39	S40	S41	S42	S43	S44	S45	S46	S47	S48
COM1		4D	4E	4F	4A	P5	5B	5G	5C	5D	5E	5F	5A
COM	SEG	S49	S50	S51	S52	S53	S54	S55	S56	S57	S58	S59	S60
COM1		P6	6B	6G	6C	6D	6E	6F	6A	P7	7B	7G	7C
COM	SEG	S61	S62	S63	S64	S65	S66	S67	S68	S69	S70	S71	S72
COM1		7D	7E	7F	7A	P8	8B	8G	8C	8D	8E	8F	8A



INTERFACE:

NO	1	2	3	4	5	6
SYMBOL	VDD	GND	LOAD	DIN	LCLK	DCLK

NOTES:

- | | |
|----------------------------|-----------------------------|
| 01. DISPLAY TYPE: | TN/POSITIVE/REFLECTIVE RoHS |
| 02. OPERATING VOLTAGE: | VLCD:2.5-3.5V |
| 03. OPERATING TEMPERATURE: | -20°C~+70°C |
| 04. STORAGE TEMPERATURE: | -30°C~+80°C |
| 05. DRIVE MODE: | STATIC |
| 06. VIEWING DIRECTION: | 12:00 |
| 07. DRIVE IC: | ML1001-2U |
| 08. CONNECTOR: | COG+PIN |
| 09. BACKLIGHT: | LED(NONE) |
| 10. CUSTOMER'S PART ID: | |

BLAZE Blaze Display Technology Co.,Ltd.

DESIGNED BY: BDT-21	BSG3701-01	VERSION: 2.0
CHECKED BY: BDT-07		PAGE 2 OF 2
APPROVED BY: BDT-02		UNIT: mm
Website: http://www.blazedisplay.com		DATE: 2018-01-24